

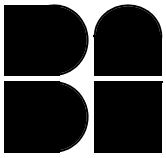
C O N T E N T S

Introduction

Quality Policy Statement
Component Order Code Description
Component Ordering Key
Plating Specification
Base Material Specification
Winding Styles

DIL

Dual In Line Leadframes
DIL Clip Design & Series Codes



BATTEN & ALLEN LIMITED

Bridge End, Love Lane Industrial Estate,
Cirencester, Glos. GL7 1NQ, Gt. Britain

Tel: +44(0)1285 655220

Fax: +44(0)1285 652650

e-mail

sales@batten-allen.co.uk

Quality Policy Statement

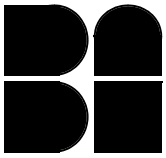
Batten and Allen Ltd is a designer / manufacturer and electroplater of precision stampings, with over thirty years experience. We provide parts for electronics, medical, automotive, telecommunications and solar applications from our base in Cirencester UK. We supply hundreds of millions of components worldwide each month.

It is our policy to improve the performance of our Management System through a continuous programme of data collection, analysis and action. The purpose of our Management System is to satisfy or exceed customer expectations; helping us to maintain or improve the high standard of products and services that we provide. In addition to improving our performance we will reduce our environmental impact by complying with relevant environmental legislation and through progress towards our targets and objectives.

We are also committed to continual improvement, prevention of pollution and reducing risks associated with emergency situations (such as fire, flood and chemical release). To this end we will appraise our performance during management review, and also review our targets and objectives to ensure that they remain appropriate.

This policy will be communicated to all company employees and subcontractors and is available to all interested parties, including the public, on request, or by visiting our company web site (www.batten-allen.com).

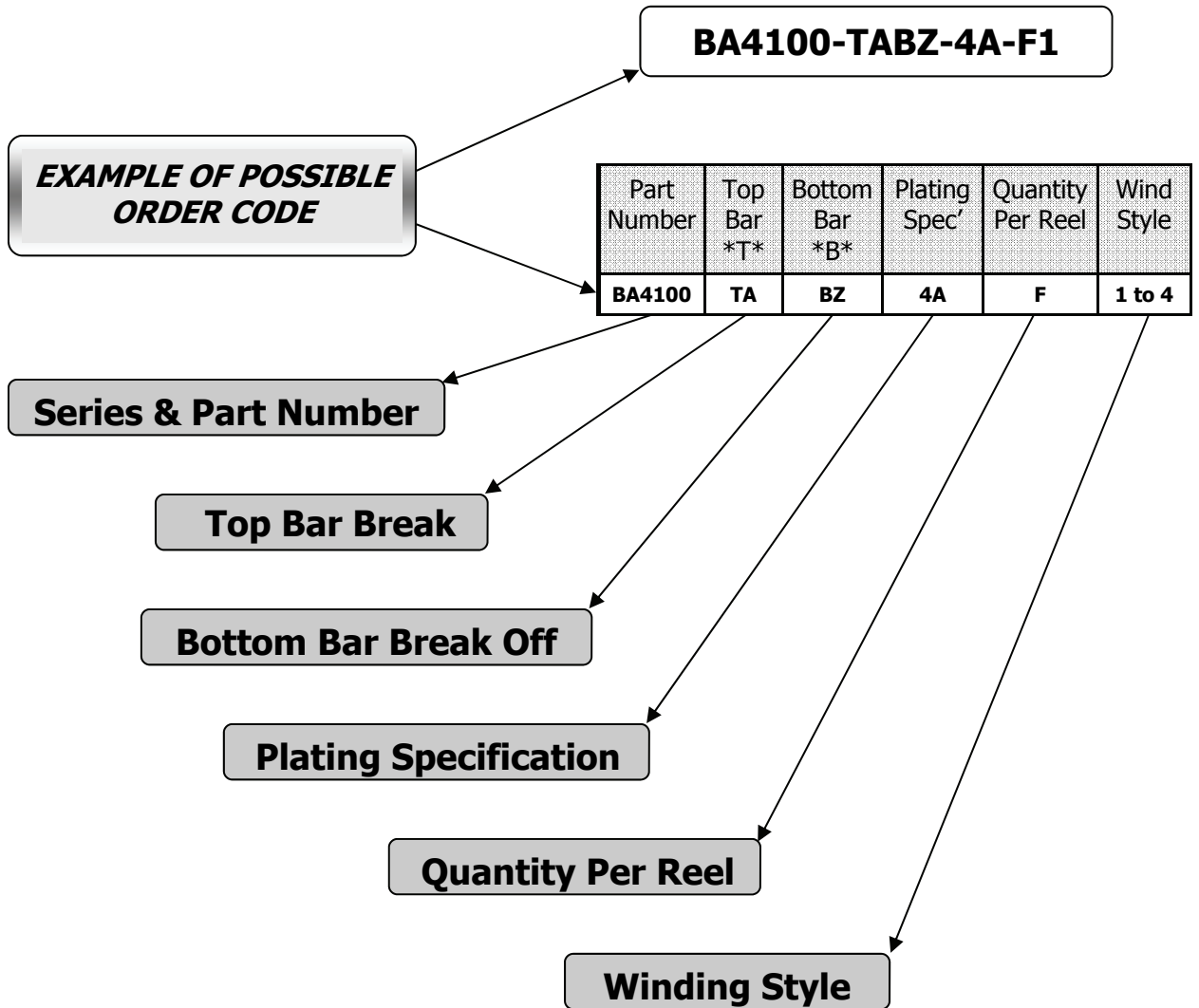
Alan Batten
Chairman



BATTEN & ALLEN LIMITED

Bridge End, Love Lane Industrial Estate,
Cirencester, Glos. GL7 1NQ, Gt. Britain

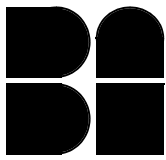
Tel: +44(0)1285 655220
Fax: +44(0)1285 652650
e-mail
sales@batten-allen.co.uk



THE PATTERNS ILLUSTRATED IN THIS CATALOGUE ARE OPEN TOOLED AND MANY ARE AVAILABLE FROM STOCK, UNLESS NOTED AT THE BOTTOM OF EACH PAGE, THEN A MINIMUM ORDER QUANTITY APPLIES. PLEASE EMAIL, FAX OR TELEPHONE TO CONFIRM PRICE AND AVAILABILITY. IF YOUR REQUIREMENT IS NON-STANDARD, PLEASE DO NOT HESITATE TO CONTACT OUR SALES TEAM .

David Wilson
Sales Manager

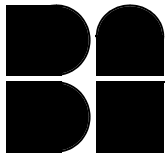
Steve Mitchell
Sales Engineer



Component Ordering Key

Break Off				Plating Specifications		Quantity Per Reel		Winding Style			
Top Bar T.B.B.O.		Bottom Bar B.B.B.O.		Code	Type of Plating	Code	Quantity	See Winding Style Page For more			
Code	Size	Code	Size								
TZ	None	BZ	None	1A	PRE-PLATE HOT TIN DIP 100% TIN 3-7 MICRONS	A	20,000	1	SIL		
TA	2.0mm					B	25,000	2	SIL		
						C	30,000	3	SIL		
		BC	0.73mm	4A	POST-PLATE ELECTROLYTIC Pure Sn 4-8 MICRONS No Reflow Matt	D	35,000	4	SIL		
						E	40,000	5	DIL		
TE	12.31mm					F	50,000	6	DIL		
TF	12.49mm	BF	4.00mm	4B	POST-PLATE ELECTROLYTIC Pure Sn 4-8 MICRONS Over Ni Flash No Reflow Matt	G	80,000	7	DIL		
TG	12.70mm	BG	6.10mm			H	100,000	8	DIL		
TH	12.95mm					J	60,000				
				4C	POST-PLATE ELECTROLYTIC Pure Sn 4-8 MICRONS Over 0.25 Microns Min Ni No Reflow Matt	K	75,000				
TJ	2.30mm	BJ	0.55mm			L	15,000				
TL	1.25mm	BL	10.50mm	Other plating specifications on request							
TM	15.86mm										
TN	16.23mm	BN	3.30mm								
TO	17.53mm	BO	5.84mm								
TP	17.77mm	BP	11.60mm								
TR	18.03mm	BR	12.78mm								
		BS	7.24mm								
TT	18.22mm										
TU	16.75mm										
TX	12.63mm										
TY	12.85mm										
UB	4.00mm										
UC	0.90mm										
UD	17.15mm										
UE	13.20mm										
UF	3.00mm										
UG	1.70mm										
UH	1.85mm										

We reserve the right to alter or modify any products mentioned in this catalogue without prior notice. Issue Date 15/06/2009



Pre Plating Specification

Type of plating: Hot Tin Dip

Plating Code: **1A** = 100% Sn



Thickness: 3 to 7 Microns

Shelf life: 1 Year from date of despatch:
Depending on storage conditions

Finish: Bright

Melting Point: 232°C (Approx)

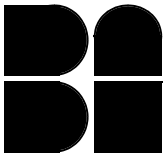
Ageing test: Test to be performed in accordance with BS 2011
Test "Ta"

Method 1 (Solder Bath Method)

- 1) Accelerated ageing for 16 hours @ 155°C
- 2) Immersion in SM/NA flux for 5 seconds
- 3) Immersion in solder at 250°C ±5°C for 5 seconds, No Dewetting Permissible

Additional test on request:-

Hot Plate test: Place material on Hot Plate at 325°C minimum for a period of 20 seconds from melting point.
Both sides of material to be inspected,
Top side to be considered as test side.
No Dewetting Permissible.
Pin holes acceptable (Areas less than 0.125mm)
Maximum of 20 per 50mm² area



Post Plating Specification

Type of plating: Electroplated

Plating Code: 4 to 8 Microns Pure Tin, Matt Finish (Non Reflow)

4A Pure Tin

4B Nickel flash under Pure Tin

4C 0.25 Micron Min Nickel under Pure Tin



The Nickel Flash is believed to reduce the risk of Tin whiskers forming, but can cause the tin to discolour during the reflow process. The discolouration does not affect the solderability.

The advantage of post plating over pre plating is that there are no bare edges and therefore a better solder joint should be achieved.

Other plating specifications on request include 4 to 8 Microns 60/40 Tin/Lead for RoHS exempt products designation "2A"

Shelf Life: 1 Year from date of despatch:

Depending on storage conditions

Melting Point: Pure Sn 231.9°C

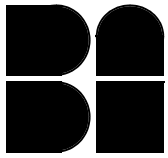
Ageing test: Test to be performed in accordance with BS 2011: Part 2.1T:1981 Method 1, ageing 3.

1) Accelerated ageing for 16 hours @ 155°C

2) Immersion in non-activated flux for 5 seconds

3) Immersion in solder at 235°C ±5°C for 5 seconds

The dipped surface shall be covered with a smooth bright solder coating with no more than small amounts of scattered imperfections such as pin holes and dewetting. Within the significant surface these imperfections shall not exceed 5% of the area.



BATTEN & ALLEN LIMITED

Bridge End, Love Lane Industrial Estate,
Cirencester, Glos. GL7 1NQ, Gt. Britain

Tel: +44(0)1285 655220

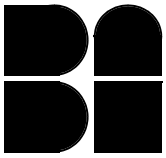
Fax: +44(0)1285 652650

e-mail

sales@batten-allen.co.uk

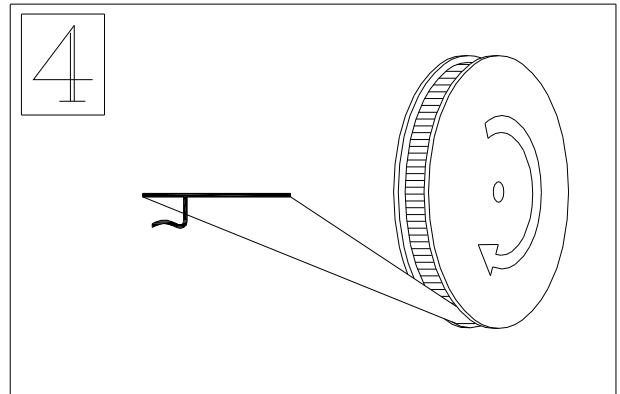
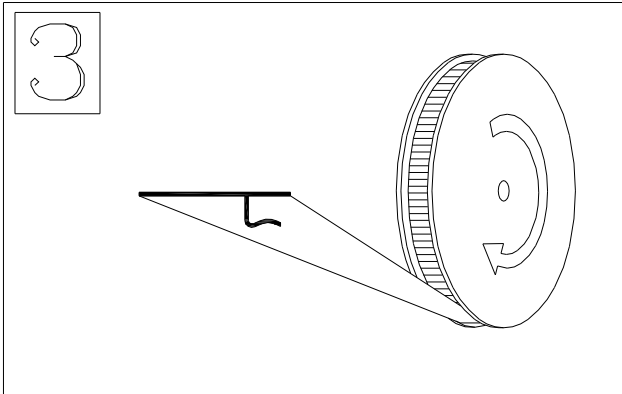
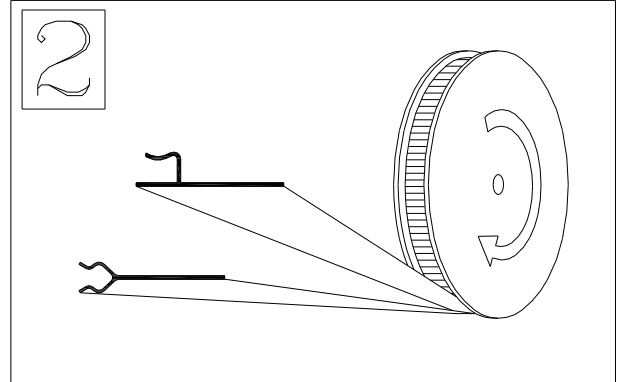
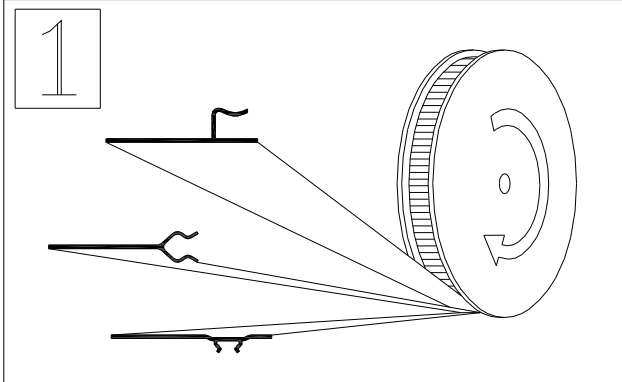
Base Material Specification

Material Designation	Alloy: Copper Tin (Phosphor Bronze)	
	DIN	CuSn6
	Designation	2.1020
	UNS	C51900
	BS	PB103
	NF	CuSn6P
Composition (nominal)	Weight Percentage	Cu 94 Sn 6
Physical Properties (nominal)	Electric	m/Ωmm ²
	Conductivity	% IACS
	Thermal	W/m K
	Conductivity	75
	Coefficient of	10 ⁻⁶ /K
	Thermo Expansion	18.5
Elastic	KN/mm ²	
Modulus	118	
Density	g/cm ³	8.8

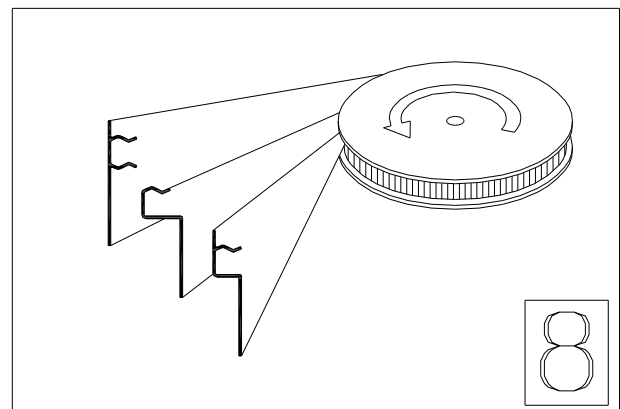
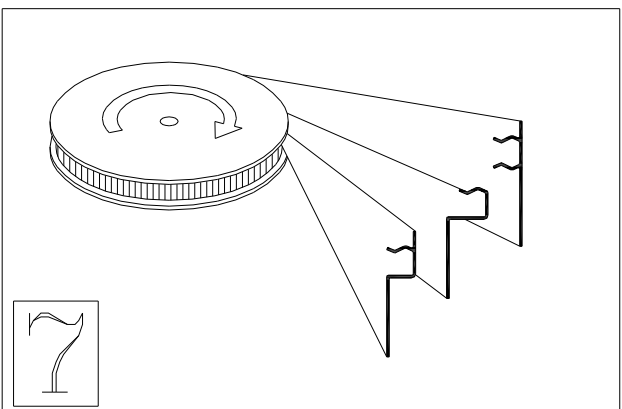
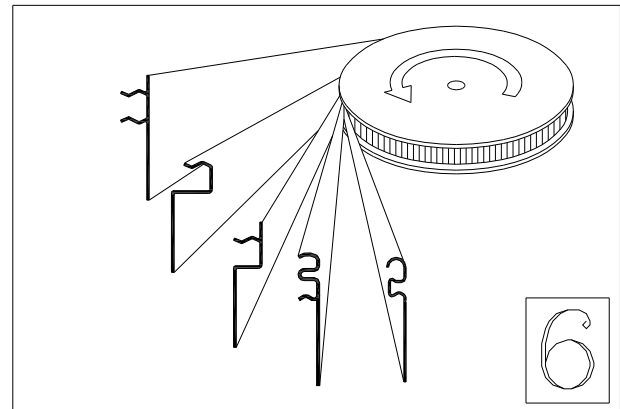
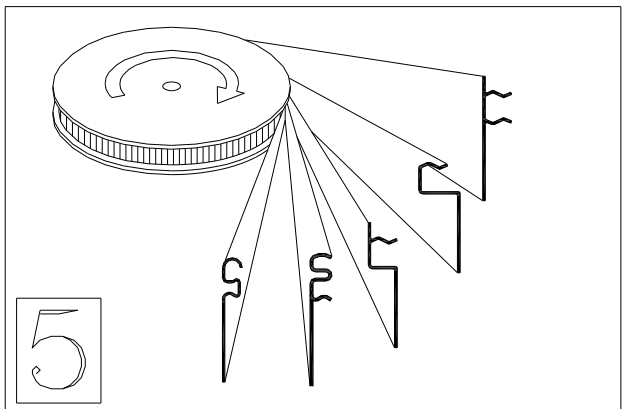


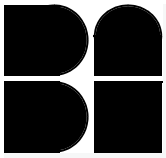
Winding Styles

Single In Line Winding Styles



Dual In Line Winding Styles

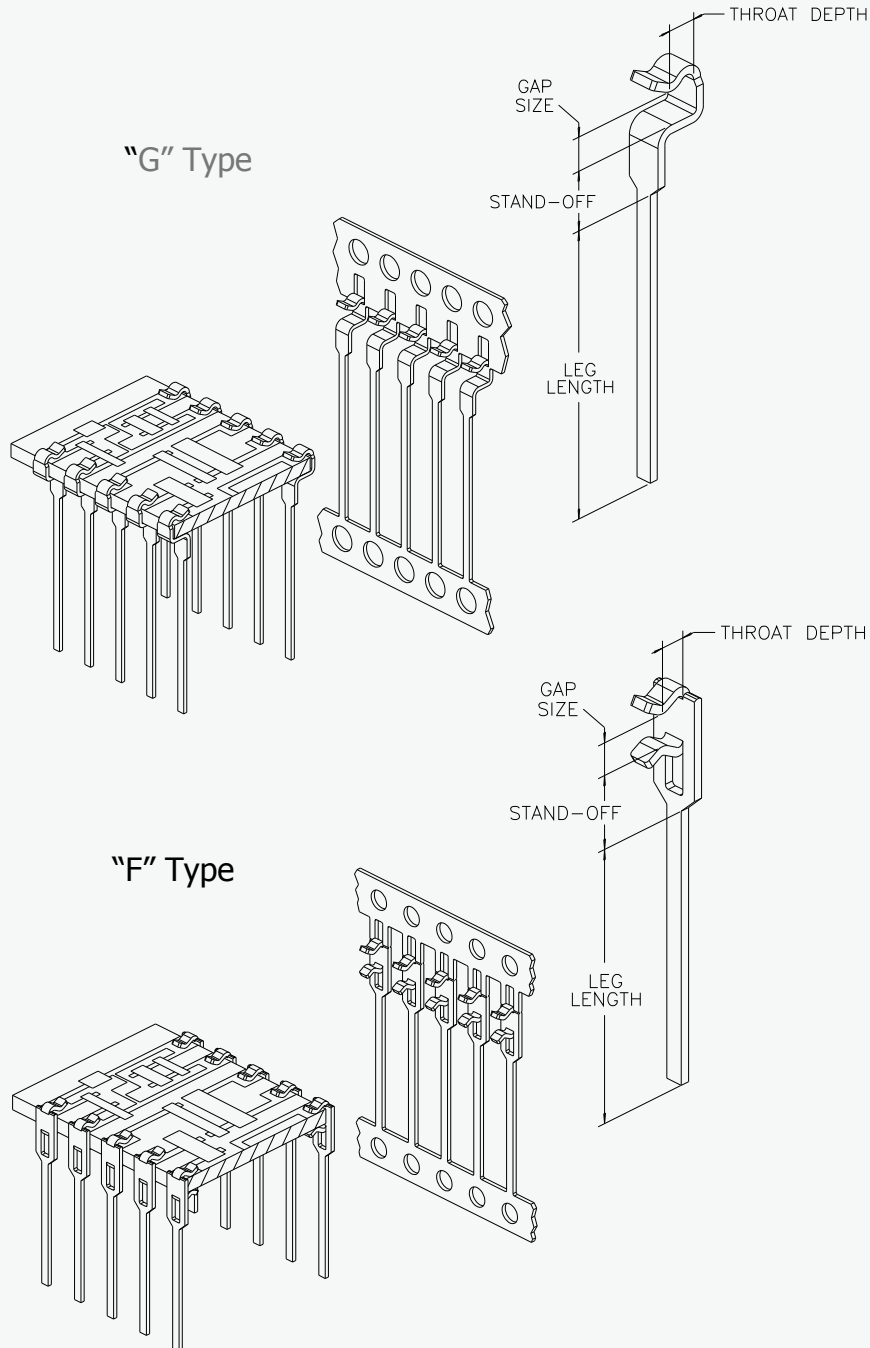




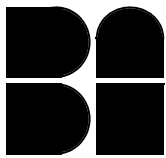
BATTEN & ALLEN LIMITED

DUAL IN LINE

Dual In Line Leadframes



Clip Design & Series Numbers



BATTEN & ALLEN LIMITED

Bridge End, Love Lane Industrial Estate,
Cirencester, Glos. GL7 1NQ, Gt. Britain

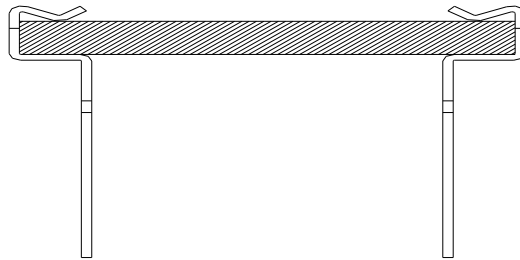
Tel: +44(0)1285 655220

Fax: +44(0)1285 652650

e-mail

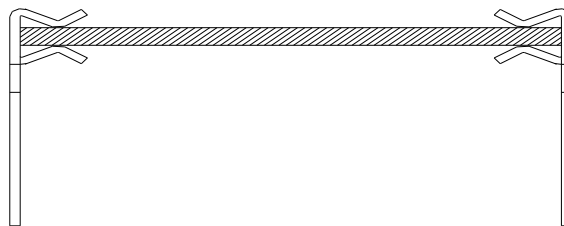
sales@batten-allen.co.uk

DIL Clip Design And Series Numbers

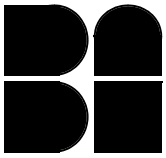


Series	Pitch	Strip Width	Substrate Size	Material thickness	Page
BA3000	2.54mm	21.70mm	0.62 to 1.34mm	0.25mm	45&46
BA3015	2.54mm	21.70mm	0.62 to 1.34mm	0.25mm	47
BA3030	2.54mm	21.70mm	0.62 to 1.34mm	0.25mm	48
BA3100	2.54mm	21.70mm	0.62 to 1.22mm	0.38mm	49
BA3200	2.54mm	21.70mm	0.62 to 1.08mm	0.25mm	50
BA3206	2.54mm	21.70mm	0.62 to 0.70mm	0.25mm	51
BA3315	2.54mm	18.10mm	0.62 to 1.08mm	0.25mm	52
BA6300	1.27mm	18.60mm	0.62 to 1.08mm	0.25mm	59

DIL Clip Design And Series Numbers



Series	Pitch	Strip Width	Substrate Size	Material thickness	Page
BA3500	2.54mm	18.10mm	0.62– 1.32mm	0.25mm	53
BA3510	2.54mm	18.10mm	0.62– 1.32mm	0.25mm	54
BA3540	2.54mm	18.10mm	0.62-0.70mm	0.25mm	55
BA3610	2.54mm	18.10mm	0.62– 1.08mm	0.25mm	56
BA3700	2.54mm	22.86mm	0.58– 3.10mm	0.25mm	57
BA3760	2.54mm	22.86mm	1.52– 1.65mm	0.25mm	58
BA6600	1.27mm	18.10mm	0.62– 1.08mm	0.25mm	60



BATTEN & ALLEN LIMITED

Bridge End, Love Lane Industrial Estate,
Cirencester, Glos. GL7 1NQ, Gt. Britain

Tel: +44(0)1285 655220

Fax: +44(0)1285 652650

e-mail

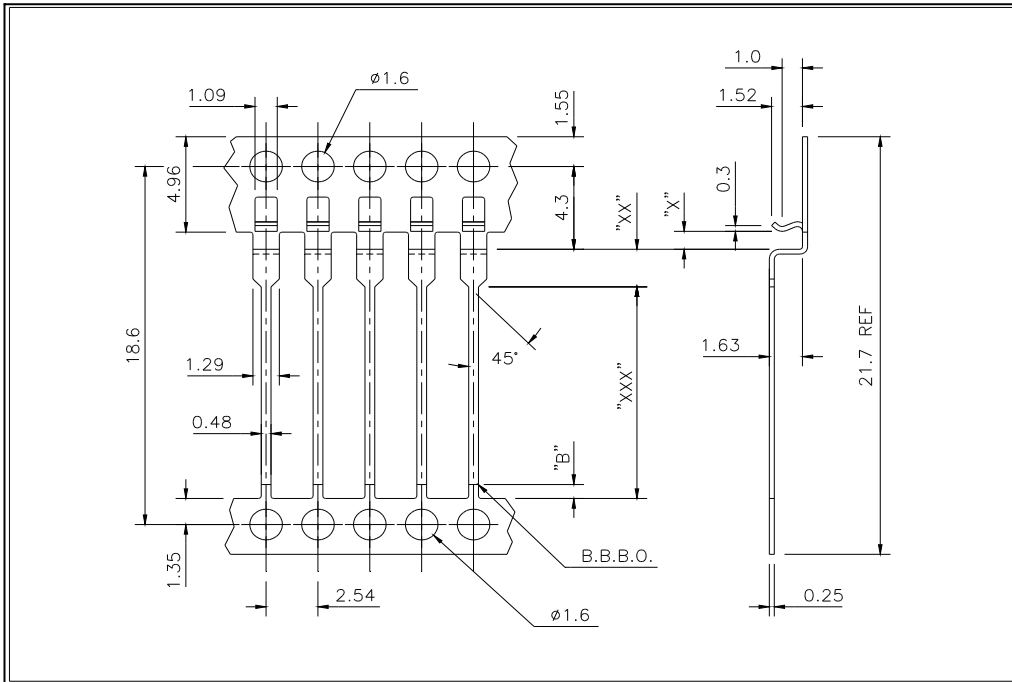
sales@batten-allen.co.uk

DIL
BA3000
SERIES
SHEET 1 OF 2

Pitch
2.54 mm
0.100 inch

Strip Width
21.7mm
0.845 inch

Material Thickness
0.25mm
0.010 inch



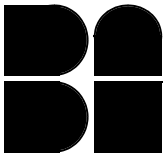
Technical Information					Ordering Information					
Substrate Size	Gap Size *X*	Stand Off *XX*	Pin Length *XXX*	Clip Length	Part Number	Top Bar *T*	Bottom Bar *B*	Plating Code	Quantity Per Reel	Wind Style
0.62-0.70mm 0.024-0.027"	0.56mm 0.022"	1.27mm 0.050"	11.68mm 0.460"	1.52mm 0.060"	BA3000	TZ	BC	1A 4A	E (40K)	5 to 8
1.00-1.08mm 0.039-0.043"	0.93mm 0.037"	1.27mm 0.050"	11.68mm 0.460"	1.52mm 0.060"	BA3001	TZ	BC	1A 4A	E (40K)	5 to 8
1.25-1.34mm 0.049-0.053"	1.18mm 0.047"	1.27mm 0.050"	11.68mm 0.460"	1.52mm 0.060"	BA3002	TZ	BC	1A 4A	E (40K)	5 to 8
0.62-0.70mm 0.024-0.027"	0.56mm 0.022"	1.95mm 0.077"	11.0mm 0.433"	1.52mm 0.060"	BA3003	TZ	BC	1A 4A	E (40K)	5 to 8
1.00-1.08mm 0.039-0.043"	0.93mm 0.037"	1.95mm 0.077"	11.0mm 0.433"	1.52mm 0.060"	BA3004	TZ	BC	1A 4A	E (40K)	5 to 8
1.25-1.34mm 0.049-0.053"	1.18mm 0.047"	1.95mm 0.077"	11.0mm 0.433"	1.52mm 0.060"	BA3005	TZ	BC	1A 4A	E (40K)	5 to 8
0.62-0.70mm 0.024-0.027"	0.56mm 0.022"	3.30mm 0.130"	9.65mm 0.380"	1.52mm 0.060"	BA3006	TZ	BC	1A 4A	E (40K)	5 to 8

*Shaded Part Numbers are subject to Minimum Order Quantities of 480,000

EXAMPLE OF POSSIBLE ORDER CODE

Other plating styles on request

Part Number	Top Bar *T*	Bottom Bar *B*	Plating Code	Quantity Per Reel	Wind Style
BA3000	TZ	BC	4A	E	5 to 8



BATTEN & ALLEN LIMITED

Bridge End, Love Lane Industrial Estate,
Cirencester, Glos. GL7 1NQ, Gt. Britain

Tel: +44(0)1285 655220

Fax: +44(0)1285 652650

e-mail

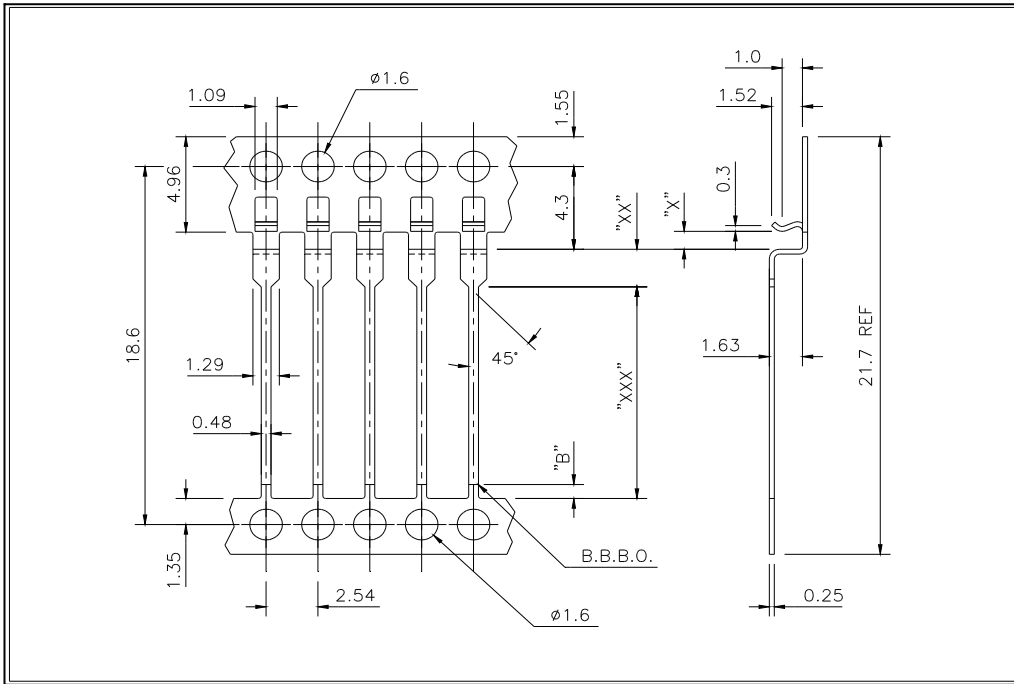
sales@batten-allen.co.uk

DIL
BA3000
SERIES
SHEET 2 OF 2

Pitch
2.54 mm
0.100 inch

Strip Width
21.7mm
0.845 inch

Material Thickness
0.25mm
0.010 inch



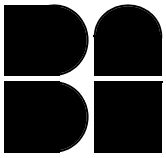
Technical Information					Ordering Information					
Substrate Size	Gap Size *X*	Stand Off *XX*	Pin Length *XXX*	Clip Length	Part Number	Top Bar *T*	Bottom Bar *B*	Plating Code	Quantity Per Reel	Wind Style
1.00-1.08mm 0.039-0.043"	0.93mm 0.037"	3.30mm 0.130"	9.65mm 0.380"	1.52mm 0.060"	BA3007	TZ	BC	1A 4A	E (40K)	5 to 8
1.25-1.34mm 0.049-0.053"	1.18mm 0.047"	3.30mm 0.130"	9.65mm 0.380"	1.52mm 0.060"	BA3008	TZ	BC	1A 4A	E (40K)	5 to 8

*Shaded Part Numbers are subject to Minimum Order Quantities of 480,000

EXAMPLE OF POSSIBLE ORDER CODE

Other plating styles on request

Part Number	Top Bar *T*	Bottom Bar *B*	Plating Code	Quantity Per Reel	Wind Style
BA3007	TZ	BC	4A	E	5 to 8



BATTEN & ALLEN LIMITED

Bridge End, Love Lane Industrial Estate,
Cirencester, Glos. GL7 1NQ, Gt. Britain

Tel: +44(0)1285 655220

Fax: +44(0)1285 652650

e-mail

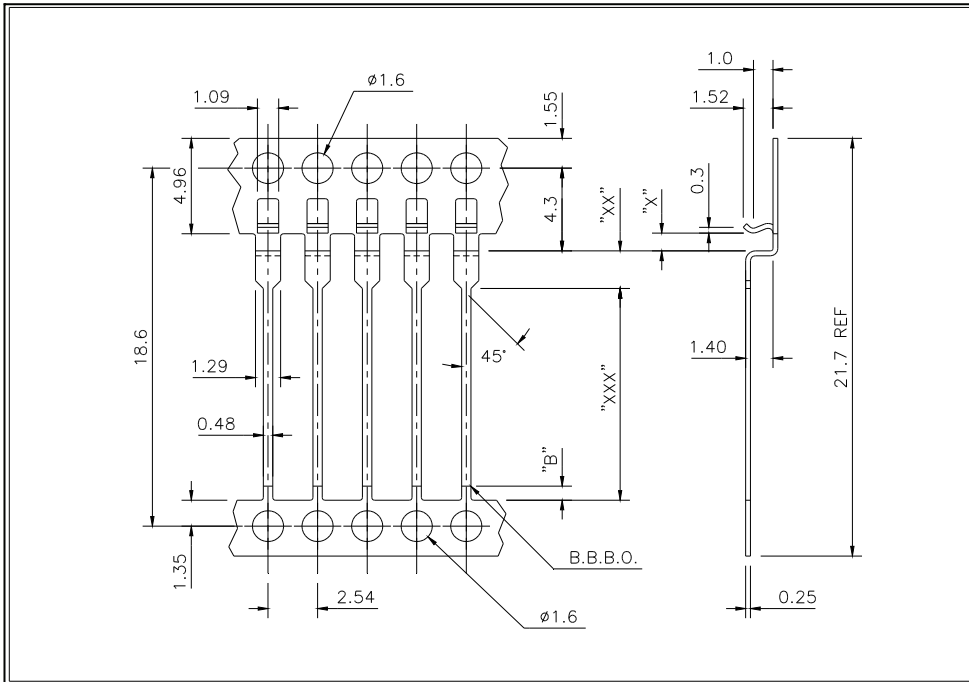
sales@batten-allen.co.uk

DIL
BA3015
SERIES
SHEET 1 OF 1

Pitch
2.54 mm
0.100 inch

Strip Width
21.7mm
0.845 inch

Material Thickness
0.25mm
0.010 inch



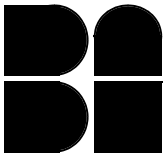
Technical Information					Ordering Information					
Substrate Size	Gap Size *X*	Stand Off *XX*	Pin Length *XXX*	Clip Length	Part Number	Top Bar *T*	Bottom Bar *B*	Plating Code	Quantity Per Reel	Wind Style
0.62-0.70mm 0.024-0.027"	0.56mm 0.022"	1.27mm 0.050"	11.68mm 0.460"	1.52mm 0.060"	BA3015	TZ	BC	4A	E (40K)	5 to 8
1.00-1.08mm 0.039-0.043"	0.93mm 0.037"	1.27mm 0.050"	11.68mm 0.460"	1.52mm 0.060"	BA3016	TZ	BC	4A	E (40K)	5 to 8
0.62-0.70mm 0.024-0.027"	0.56mm 0.022"	1.95mm 0.077"	11.0mm 0.433"	1.52mm 0.060"	BA3018	TZ	BC	4A	E (40K)	5 to 8
1.00-1.08mm 0.039-0.042"	0.93mm 0.037"	1.95mm 0.077"	11.0mm 0.433"	1.52mm 0.060"	BA3019	TZ	BC	4A	E (40K)	5 to 8
1.25-1.34mm 0.049-0.053"	1.18mm 0.047"	1.95mm 0.077"	11.0mm 0.433"	1.52mm 0.060"	BA3020	TZ	BC	4A	E (40K)	5 to 8
0.62-0.70mm 0.024-0.027"	0.56mm 0.022"	3.30mm 0.130"	9.65mm 0.380"	1.52mm 0.060"	BA3021	TZ	BC	4A	E (40K)	5 to 8
1.00-1.08mm 0.039-0.042"	0.93mm 0.037"	3.30mm 0.130"	9.65mm 0.380"	1.52mm 0.060"	BA3022	TZ	BC	4A	E (40K)	5 to 8

*Shaded Part Numbers are subject to Minimum Order Quantities of 480,000

EXAMPLE OF POSSIBLE ORDER CODE

Other plating styles on request

Part Number	Top Bar *T*	Bottom Bar *B*	Plating Code	Quantity Per Reel	Wind Style
BA3015	TZ	BC	4A	E	5



BATTEN & ALLEN LIMITED

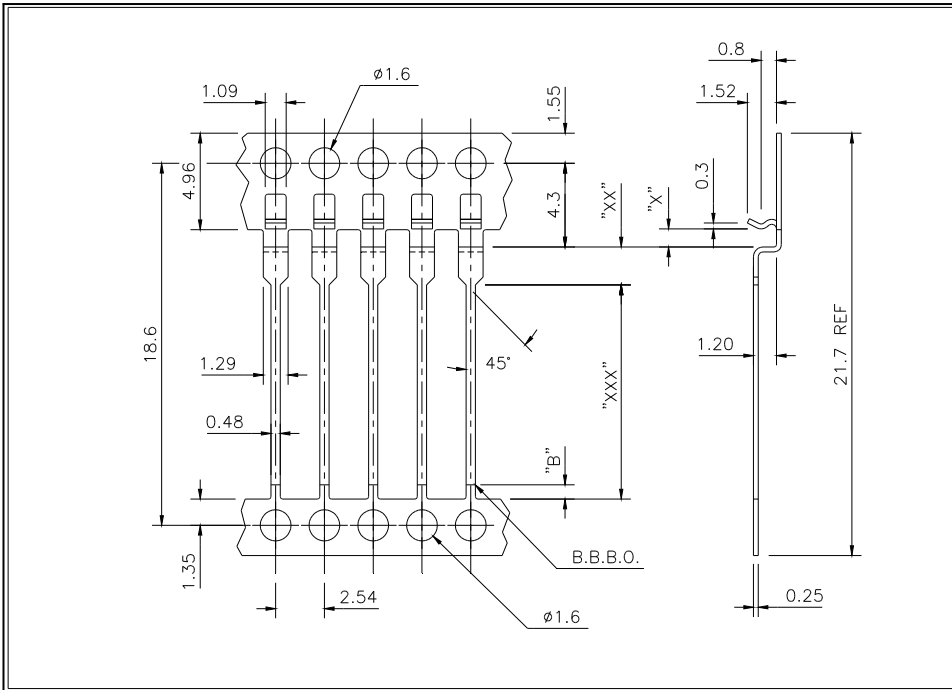
Bridge End, Love Lane Industrial Estate,
Cirencester, Glos. GL7 1NQ, Gt. Britain

Tel: +44(0)1285 655220

Fax: +44(0)1285 652650

e-mail

sales@batten-allen.co.uk



DIL
BA3030
SERIES
SHEET 1 OF 1

Pitch
2.54 mm
0.100 inch

Strip Width
21.7mm
0.845 inch

Material Thickness
0.25mm
0.010 inch

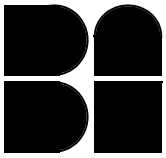
Technical Information					Ordering Information					
Substrate Size	Gap Size *X*	Stand Off *XX*	Pin Length *XXX*	Clip Length	Part Number	Top Bar *T*	Bottom Bar *B*	Plating Code	Quantity Per Reel	Wind Style
0.62-0.70mm 0.024-0.027"	0.56mm 0.022"	1.27mm 0.050"	11.68mm 0.460"	1.52mm 0.060"	BA3030	TZ	BC	4A	E (40K)	5 to 8
1.00-1.08mm 0.039-0.043"	0.93mm 0.037"	1.27mm 0.050"	11.68mm 0.460"	1.52mm 0.060"	BA3031	TZ	BC	4A	E (40K)	5 to 8
1.25-1.34mm 0.049-0.053"	1.18mm 0.047"	1.27mm 0.050"	11.68mm 0.460"	1.52mm 0.060"	BA3032	TZ	BC	4A	E (40K)	5 to 8
1.25-1.34mm 0.049-0.053"	1.18mm 0.047"	1.95mm 0.077"	11.00mm 0.433"	1.52mm 0.060"	BA3035	TZ	BC	4A	E (40K)	5 to 8
0.62-0.70mm 0.024-0.027"	0.56mm 0.022"	5.0mm 0.197"	7.95mm 0.313"	1.52mm 0.060"	BA3039	TZ	BC	4A	E (40K)	5 to 8

*Shaded Part Numbers are subject to Minimum Order Quantities of 480,000

EXAMPLE OF POSSIBLE ORDER CODE

Part Number	Top Bar *T*	Bottom Bar *B*	Plating Code	Quantity Per Reel	Wind Style
BA3030	TZ	BC	4A	E	5

Other plating styles on request



BATTEN & ALLEN LIMITED

Bridge End, Love Lane Industrial Estate,
Cirencester, Glos. GL7 1NQ, Gt. Britain

Tel: +44(0)1285 655220

Fax: +44(0)1285 652650

e-mail

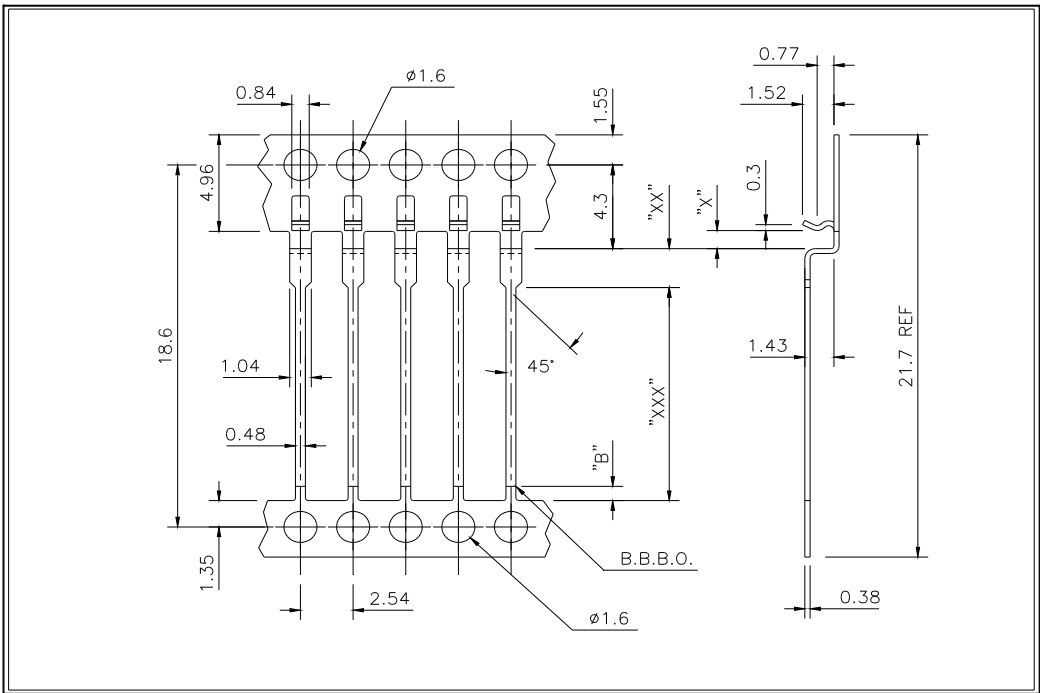
sales@batten-allen.co.uk

DIL
BA3100
SERIES
SHEET 1 OF 1

Pitch
2.54 mm
0.100 inch

Strip Width
21.7mm
0.845 inch

Material Thickness
0.38mm
0.015 inch



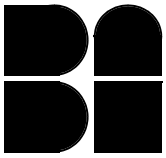
Technical Information					Ordering Information					
Substrate Size	Gap Size *X*	Stand Off *XX*	Pin Length *XXX*	Clip Length	Part Number	Top Bar *T*	Bottom Bar *B*	Plating Code	Quantity Per Reel	Wind Style
0.62-0.70mm 0.024-0.027"	0.56mm 0.022"	2.0mm 0.079"	11.0mm 0.433"	1.52mm 0.060"	BA3100	TZ	BC	4A	E (40K)	5 to 8
1.00-1.08mm 0.039-0.043"	0.93mm 0.037"	2.0mm 0.079"	11.0mm 0.433"	1.52mm 0.060"	BA3101	TZ	BC	4A	E (40K)	5 to 8
1.14-1.22mm 0.044-0.048"	1.05mm 0.041"	2.0mm 0.079"	11.0mm 0.433"	1.52mm 0.060"	BA3102	TZ	BC	4A	E (40K)	5 to 8

*Shaded Part Numbers are subject to Minimum Order Quantities of 480,000

EXAMPLE OF POSSIBLE ORDER CODE

Part Number	Top Bar *T*	Bottom Bar *B*	Plating Code	Quantity Per Reel	Wind Style
BA3100	TZ	BC	4A	E	5

Other plating styles on request



BATTEN & ALLEN LIMITED

Bridge End, Love Lane Industrial Estate,
Cirencester, Glos. GL7 1NQ, Gt. Britain

Tel: +44(0)1285 655220

Fax: +44(0)1285 652650

e-mail

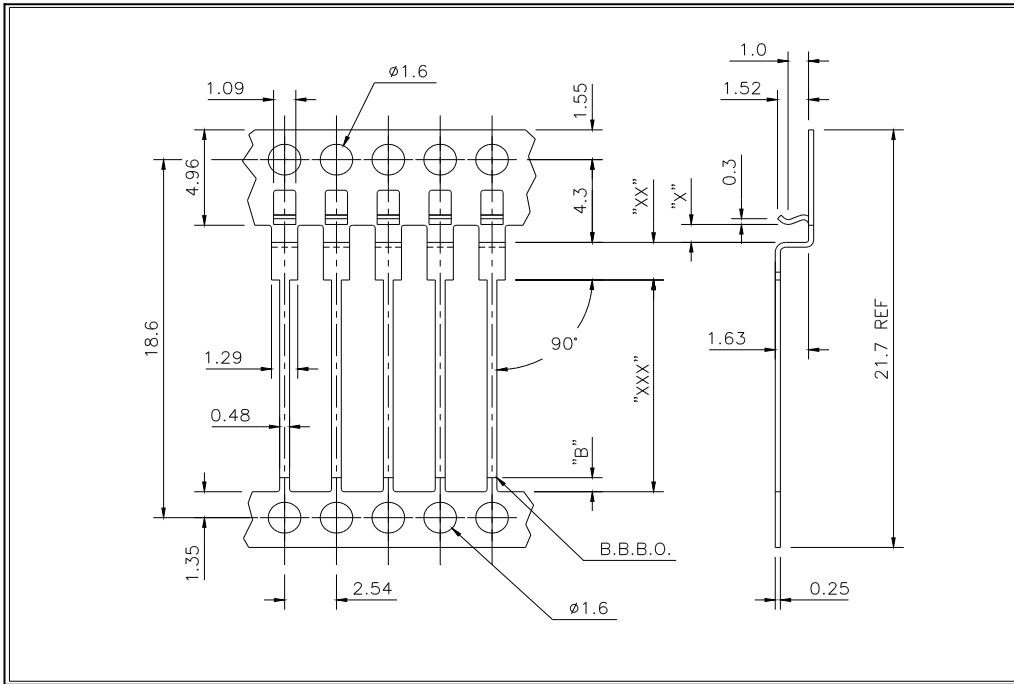
sales@batten-allen.co.uk

DIL
BA3200
SERIES
SHEET 1 OF 1

Pitch
2.54 mm
0.100 inch

Strip Width
21.7mm
0.845 inch

Material Thickness
0.25mm
0.010"



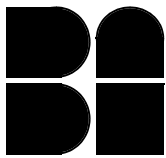
Technical Information					Ordering Information					
Substrate Size	Gap Size *X*	Stand Off *XX*	Pin Length *XXX*	Clip Length	Part Number	Top Bar *T*	Bottom Bar *B*	Plating Code	Quantity Per Reel	Wind Style
0.62-0.70mm 0.024-0.027"	0.56mm 0.022"	1.27mm 0.050"	11.68mm 0.460"	1.52mm 0.060"	BA3200	TZ	BC	4A	E (40K)	5 to 8
0.62-0.70mm 0.024-0.027"	0.56mm 0.022"	0.61mm 0.024"	12.34mm 0.486"	1.52mm 0.060"	BA3203	TZ	BC BZ	4A	E (40K)	5 to 8
1.00-1.08mm 0.039-0.043"	0.93mm 0.037"	0.61mm 0.024"	12.34mm 0.486"	1.52mm 0.060"	BA3204	TZ	BC	4A	E (40K)	5 to 8

*Shaded Part Numbers are subject to Minimum Order Quantities of 480,000

EXAMPLE OF POSSIBLE ORDER CODE

Part Number	Top Bar *T*	Bottom Bar *B*	Plating Code	Quantity Per Reel	Wind Style
BA3200	TZ	BC	4A	E	5

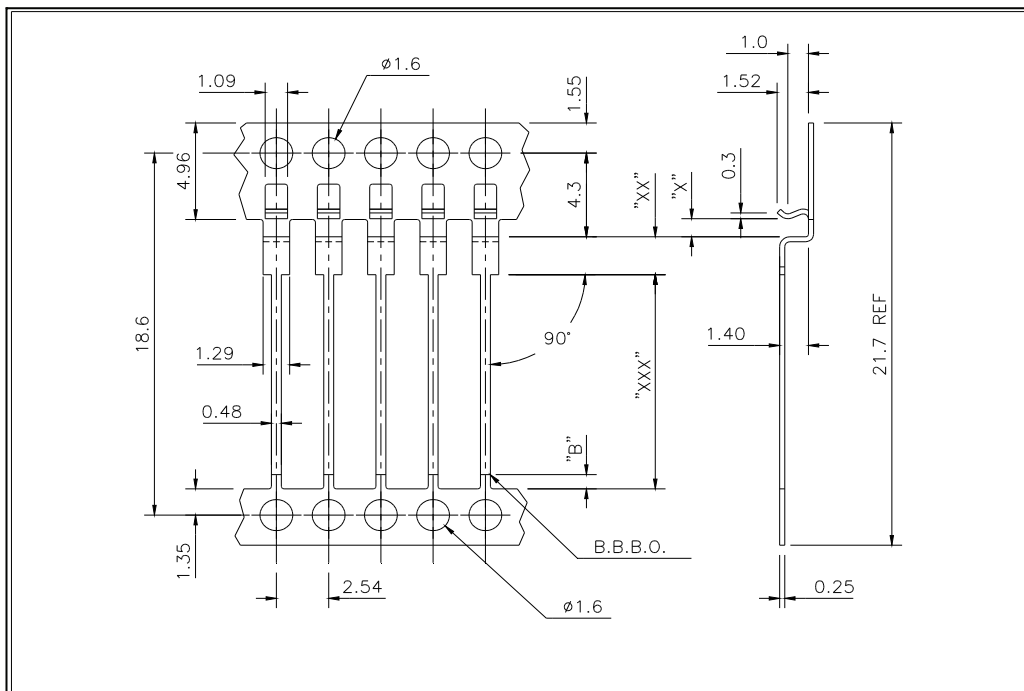
Other plating styles on request



BATTEN & ALLEN LIMITED

Bridge End, Love Lane Industrial Estate,
Cirencester, Glos. GL7 1NQ, Gt. Britain

Tel: +44(0)1285 655220
Fax: +44(0)1285 652650
e-mail
sales@batten-allen.co.uk



DIL
BA3206
SERIES
SHEET 1 OF 1

Pitch
2.54 mm
0.100 inch

Strip Width
21.7mm
0.845 inch

Material Thickness
0.25mm
0.010 inch

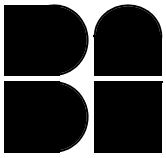
Technical Information					Ordering Information					
Substrate Size	Gap Size *X*	Stand Off *XX*	Pin Length *XXX*	Clip Length	Part Number	Top Bar *T*	Bottom Bar *B*	Plating Code	Quantity Per Reel	Wind Style
0.62-0.70mm 0.024-0.027"	0.56mm 0.022"	1.27mm 0.050"	11.68mm 0.460"	1.52mm 0.060"	BA3206	TZ	BC	4A	E (40K)	5 to 8

*Shaded Part Numbers are subject to Minimum Order Quantities of 480,000

EXAMPLE OF POSSIBLE ORDER CODE

Part Number	Top Bar *T*	Bottom Bar *B*	Plating Code	Quantity Per Reel	Wind Style
BA3206	TZ	BC	4A	E	5

Other plating styles on request



BATTEN & ALLEN LIMITED

Bridge End, Love Lane Industrial Estate,
Cirencester, Glos. GL7 1NQ, Gt. Britain

Tel: +44(0)1285 655220

Fax: +44(0)1285 652650

e-mail

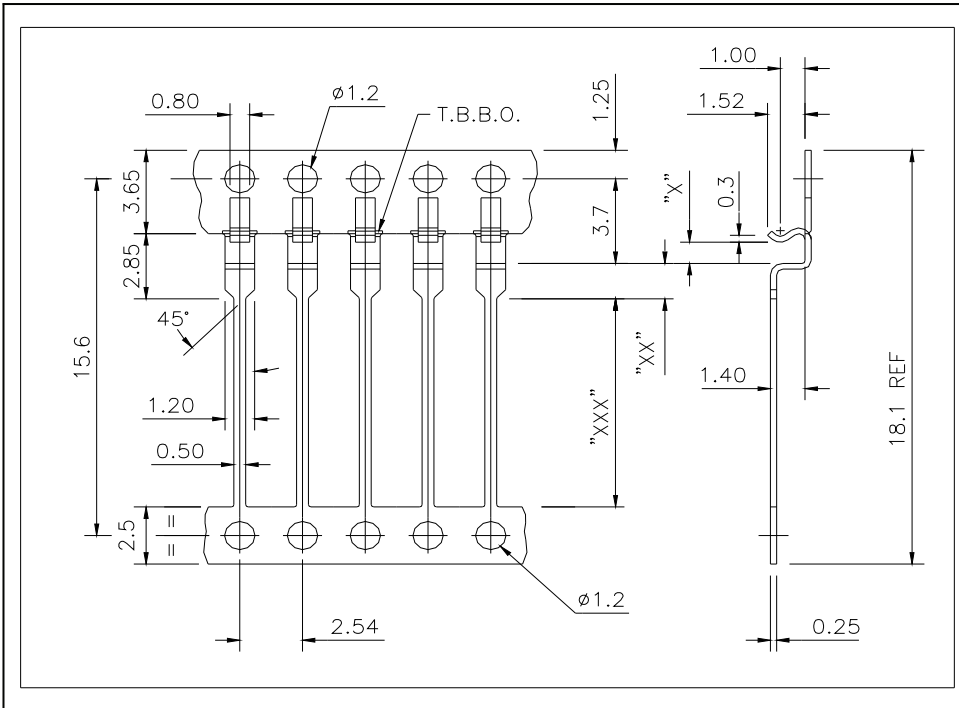
sales@batten-allen.co.uk

DIL
BA3315
SERIES
SHEET 1 OF 1

Pitch
2.54 mm
0.100 inch

Strip Width
18.1mm
0.712 inch

Material Thickness
0.25mm
0.010 inch



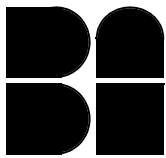
Technical Information					Ordering Information					
Substrate Size	Gap Size *X*	Stand Off *XX*	Pin Length *XXX*	Clip Length	Part Number	Top Bar *T*	Bottom Bar *B*	Plating Code	Quantity Per Reel	Wind Style
0.62-0.70mm 0.024-0.027"	0.56mm 0.022"	1.55mm 0.061"	9.10mm 0.358"	1.52mm 0.060"	BA3315	TY	BZ	4A	E (40K)	5 to 8
1.00-1.08mm 0.039-0.043"	0.93mm 0.037"	1.55mm 0.061"	9.10mm 0.358"	1.52mm 0.060"	BA3316	UE	BZ	4A	E (40)	5 to 8

*Shaded Part Numbers are subject to Minimum Order Quantities of 480,000

EXAMPLE OF POSSIBLE ORDER CODE

Other plating styles on request

Part Number	Top Bar *T*	Bottom Bar *B*	Plating Code	Quantity Per Reel	Wind Style
BA3315	TY	BZ	4A	E	5



BATTEN & ALLEN LIMITED

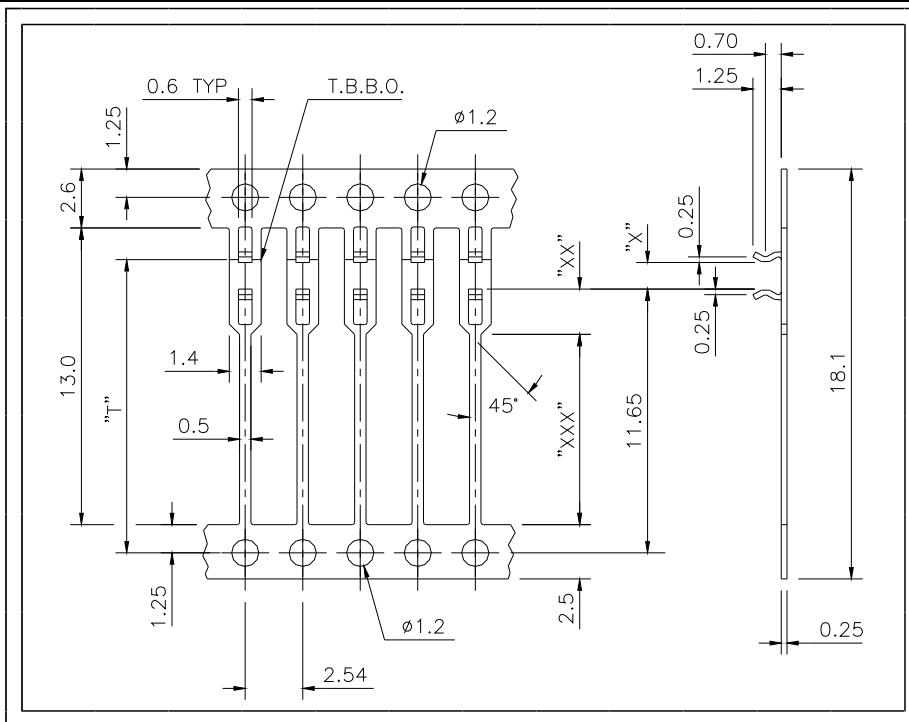
Bridge End, Love Lane Industrial Estate,
Cirencester, Glos. GL7 1NQ, Gt. Britain

Tel: +44(0)1285 655220

Fax: +44(0)1285 652650

e-mail

sales@batten-allen.co.uk



DIL
BA3500
SERIES
SHEET 1 OF 1

Pitch
2.54 mm
0.100 inch

Strip Width
18.1mm
0.712 inch

Material Thickness
0.25mm
0.010 inch

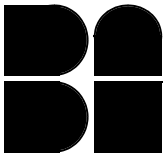
Technical Information					Ordering Information					
Substrate Size	Gap Size *X*	Stand Off *XX*	Pin Length *XXX*	Clip Length	Part Number	Top Bar *T*	Bottom Bar *B*	Plating Code	Quantity Per Reel	Wind Style
0.62-0.70mm 0.024-0.027"	0.53mm 0.021"	2.0mm 0.079"	8.40mm 0.331"	1.25mm 0.049"	BA3500	TE	BZ BP	1A 4A	F (50K)	5 to 8
0.79-0.87mm 0.031-0.034"	0.70mm 0.028"	2.0mm 0.079"	8.40mm 0.331"	1.25mm 0.049"	BA3501	TF	BZ BP	1A 4A	F (50K)	5 to 8
1.00-1.08mm 0.039-0.043"	0.93mm 0.037"	2.0mm 0.079"	8.40mm 0.331"	1.25mm 0.049"	BA3502	TG	BZ BP	1A 4A	F (50K)	5 to 8
1.25-1.32mm 0.049-0.052"	1.18mm 0.047"	2.0mm 0.079"	8.40mm 0.331"	1.25mm 0.049"	BA3503	TH	BZ BP	1A 4A	F (50K)	5 to 8

*Shaded Part Numbers are subject to Minimum Order Quantities of 500,000

EXAMPLE OF POSSIBLE ORDER CODE

Other plating styles on request

Part Number	Top Bar *T*	Bottom Bar *B*	Plating Code	Quantity Per Reel	Wind Style
BA3500	TE	BZ	4A	F	5



BATTEN & ALLEN LIMITED

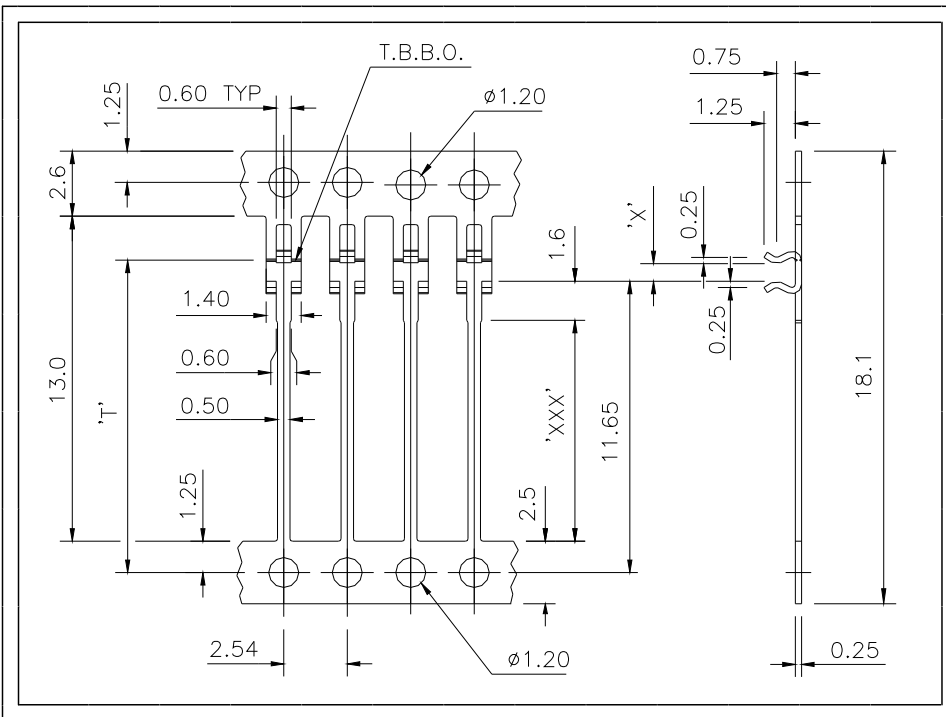
Bridge End, Love Lane Industrial Estate,
Cirencester, Glos. GL7 1NQ, Gt. Britain

Tel: +44(0)1285 655220

Fax: +44(0)1285 652650

e-mail

sales@batten-allen.co.uk



DIL
BA3510
SERIES
SHEET 1 OF 1

Pitch
2.54 mm
0.100 inch

Strip Width
18.1mm
0.712 inch

Material Thickness
0.25mm
0.010 inch

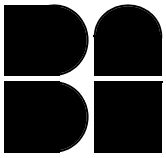
Technical Information					Ordering Information					
Substrate Size	Gap Size *X*	Stand Off *XX*	Pin Length *XXX*	Clip Length	Part Number	Top Bar *T*	Bottom Bar *B*	Plating Code	Quantity Per Reel	Wind Style
0.62-0.70mm 0.024-0.027"	0.54mm 0.021"		7.55mm 0.297"	1.25mm 0.049"	BA3510	TE	BZ	1A 4A	F (50K)	5 to 8
0.79-0.87mm 0.031-0.034"	0.70mm 0.028"		7.55mm 0.297"	1.25mm 0.049"	BA3511	TF	BZ	1A 4A	F (50K)	5 to 8
1.00-1.08mm 0.039-0.043"	0.93mm 0.037"		7.55mm 0.297"	1.25mm 0.049"	BA3512	TG	BZ	1A 4A	F (50K)	5 to 8
1.25-1.32mm 0.049-0.052"	1.18mm 0.047"		7.55mm 0.297"	1.25mm 0.049"	BA3513	TH	BZ	1A 4A	F (50K)	5 to 8

*Shaded Part Numbers are subject to Minimum Order Quantities of 500,000

EXAMPLE OF POSSIBLE ORDER CODE

Part Number	Top Bar *T*	Bottom Bar *B*	Plating Code	Quantity Per Reel	Wind Style
BA3510	TE	BZ	4A	F	5

Other plating styles on request



BATTEN & ALLEN LIMITED

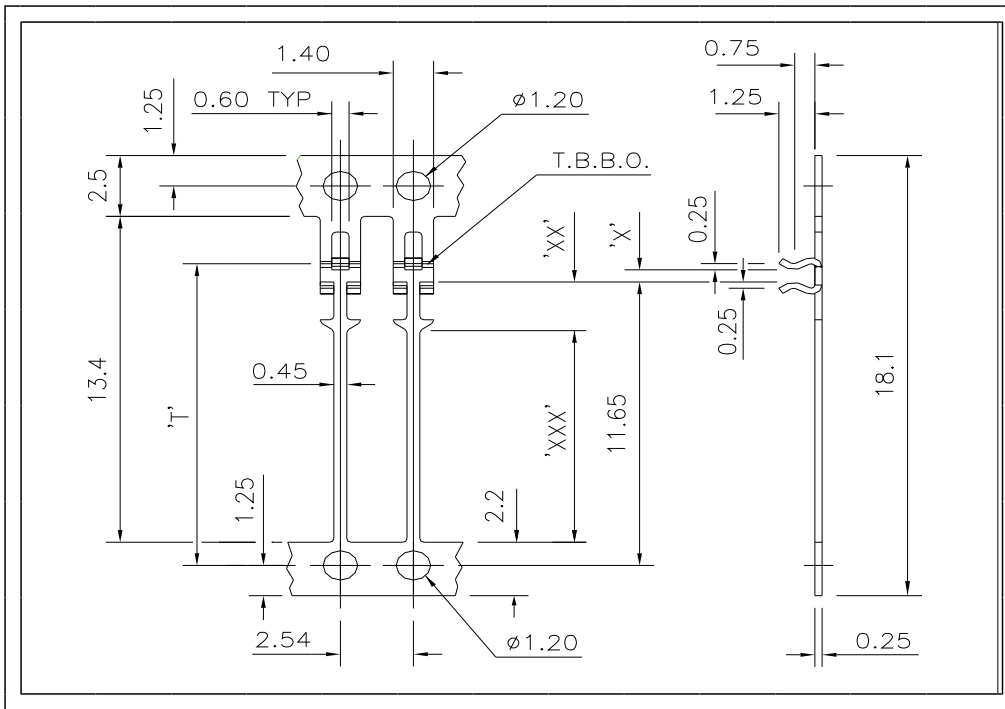
Bridge End, Love Lane Industrial Estate,
Cirencester, Glos. GL7 1NQ, Gt. Britain

Tel: +44(0)1285 655220

Fax: +44(0)1285 652650

e-mail

sales@batten-allen.co.uk



DIL
BA3540
SERIES
SHEET 1 OF 1

Pitch
2.54 mm
0.100 inch

Strip Width
18.1mm
0.712 inch

Material Thickness
0.25mm
0.010 inch

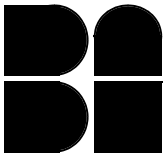
Technical Information					Ordering Information					
Substrate Size	Gap Size *X*	Stand Off *XX*	Pin Length *XXX*	Clip Length	Part Number	Top Bar *T*	Bottom Bar *B*	Plating Code	Quantity Per Reel	Wind Style
0.62-0.70mm 0.024-0.027"	0.52mm 0.020"	2.00mm 0.0787"	8.7mm 0.343"	1.25mm 0.049"	BA3540	TG	BZ	1A 4A	F (50K)	5 to 8

*Shaded Part Numbers are subject to Minimum Order Quantities of 500,000

EXAMPLE OF POSSIBLE ORDER CODE

Part Number	Top Bar *T*	Bottom Bar *B*	Plating Code	Quantity Per Reel	Wind Style
BA3540	TG	BZ	4A	F	5

Other plating styles on request



BATTEN & ALLEN LIMITED

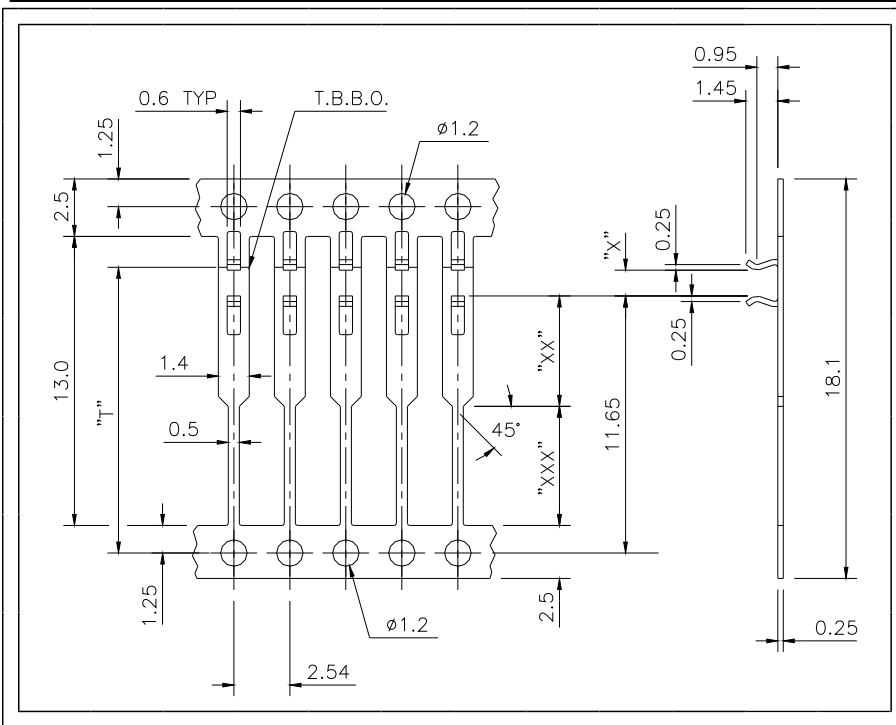
Bridge End, Love Lane Industrial Estate,
Cirencester, Glos. GL7 1NQ, Gt. Britain

Tel: +44(0)1285 655220

Fax: +44(0)1285 652650

e-mail

sales@batten-allen.co.uk



DIL
BA3610
SERIES
SHEET 1 OF 1

Pitch
2.54 mm
0.100 inch

Strip Width
18.1mm
0.712 inch

Material Thickness
0.25mm
0.010 inch

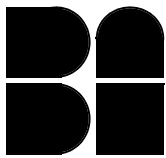
Technical Information					Ordering Information					
Substrate Size	Gap Size *X*	Stand Off *XX*	Pin Length *XXX*	Clip Length	Part Number	Top Bar *T*	Bottom Bar *B*	Plating Code	Quantity Per Reel	Wind Style
0.62-0.70mm 0.024-0.027"	0.53mm 0.021"	5.0mm 0.197"	5.40mm 0.209"	1.45mm 0.057"	BA3610	TE	BZ	4A	E (40K)	5 to 8
1.00-1.08mm 0.039-0.043"	0.90mm 0.035"	5.0mm 0.197"	5.40mm 0.209"	1.45mm 0.057"	BA3611	TG	BZ	4A	E (40K)	5 to 8

*Shaded Part Numbers are subject to Minimum Order Quantities of 480,000

EXAMPLE OF POSSIBLE ORDER CODE

Part Number	Top Bar *T*	Bottom Bar *B*	Plating Code	Quantity Per Reel	Wind Style
BA3610	TE	BZ	4A	E	5

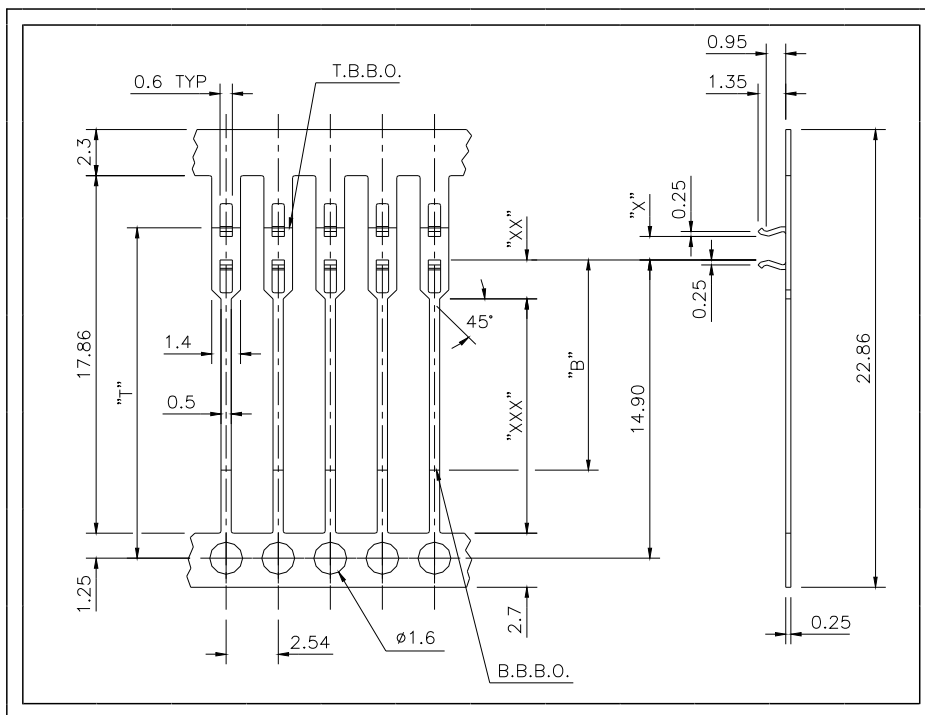
Other plating styles on request



BATTEN & ALLEN LIMITED

Bridge End, Love Lane Industrial Estate,
Cirencester, Glos. GL7 1NQ, Gt. Britain

Tel: +44(0)1285 655220
Fax: +44(0)1285 652650
e-mail
sales@batten-allen.co.uk



DIL
BA3700
SERIES
SHEET 1 OF 1

Pitch
2.54 mm
0.100 inch

Strip Width
22.86mm
0.900 inch

Material Thickness
0.25mm
0.010 inch

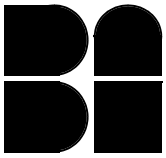
Technical Information					Ordering Information					
Substrate Size	Gap Size *X*	Stand Off *XX*	Pin Length *XXX*	Clip Length	Part Number	Top Bar *T*	Bottom Bar *B*	Plating Code	Quantity Per Reel	Wind Style
0.58-0.74mm 0.023-0.026"	0.54mm 0.022"	2.0mm 0.079"	11.70mm 0.460"	1.35mm 0.053"	BA3700	TM	BZ BL	4A	F (50K)	5 to 8
1.00-1.08mm 0.039-0.043"	0.90mm 0.035"	2.0mm 0.079"	11.70mm 0.460"	1.35mm 0.053"	BA3701	TN	BZ BL	4A	F (50K)	5 to 8
2.21-2.34mm 0.087-0.092"	2.12mm 0.083"	2.0mm 0.079"	11.70mm 0.460"	1.35mm 0.053"	BA3702	TO	BZ BL	4A	F (50K)	5 to 8
2.46-2.59mm 0.097-0.102"	2.37mm 0.093"	2.0mm 0.079"	11.70mm 0.460"	1.35mm 0.053"	BA3703	TR	BZ BL	4A	F (50K)	5 to 8
2.71-2.85mm 0.107-0.112"	2.62mm 0.103"	2.0mm 0.079"	11.70mm 0.460"	1.35mm 0.053"	BA3704	TR	BZ BL	4A	F (50K)	5 to 8
3.00-3.10mm 0.118-0.122"	2.90mm 0.114"	2.0mm 0.079"	11.70mm 0.460"	1.35mm 0.053"	BA3707	TT	BZ BL	4A	F (50K)	5 to 8

*Shaded Part Numbers are subject to Minimum Order Quantities of 500,000

EXAMPLE OF POSSIBLE ORDER CODE

Part Number	Top Bar *T*	Bottom Bar *B*	Plating Code	Quantity Per Reel	Wind Style
BA3700	TM	BZ	4A	F	5

Other plating styles on request



BATTEN & ALLEN LIMITED

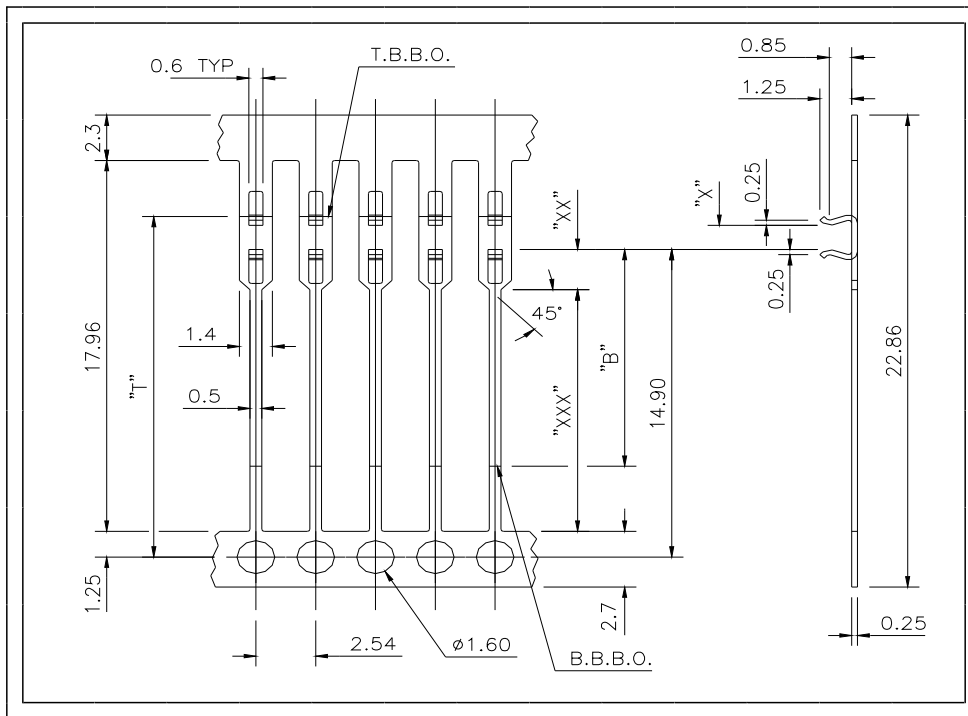
Bridge End, Love Lane Industrial Estate,
Cirencester, Glos. GL7 1NQ, Gt. Britain

Tel: +44(0)1285 655220

Fax: +44(0)1285 652650

e-mail

sales@batten-allen.co.uk



DIL
BA3760
SERIES
SHEET 1 OF 1

Pitch
2.54 mm
0.100 inch

Strip Width
22.86mm
0.900 inch

Material Thickness
0.25mm
0.010 inch

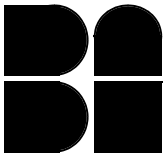
Technical Information					Ordering Information					
Substrate Size	Gap Size *X*	Stand Off *XX*	Pin Length *XXX*	Clip Length	Part Number	Top Bar *T*	Bottom Bar *B*	Plating Code	Quantity Per Reel	Wind Style
1.52-1.65mm 0.060-0.065"	1.42mm 0.056"	2.0mm 0.079"	11.70mm 0.460"	1.25mm 0.049"	BA3760	TU	BZ BL	4A	F (50K)	5 to 8

*Shaded Part Numbers are subject to Minimum Order Quantities of 500,000

EXAMPLE OF POSSIBLE ORDER CODE

Part Number	Top Bar *T*	Bottom Bar *B*	Plating Code	Quantity Per Reel	Wind Style
BA3760	TM	BZ	4A	F	5

Other plating styles on request



BATTEN & ALLEN LIMITED

Bridge End, Love Lane Industrial Estate,
Cirencester, Glos. GL7 1NQ, Gt. Britain

Tel: +44(0)1285 655220

Fax: +44(0)1285 652650

e-mail

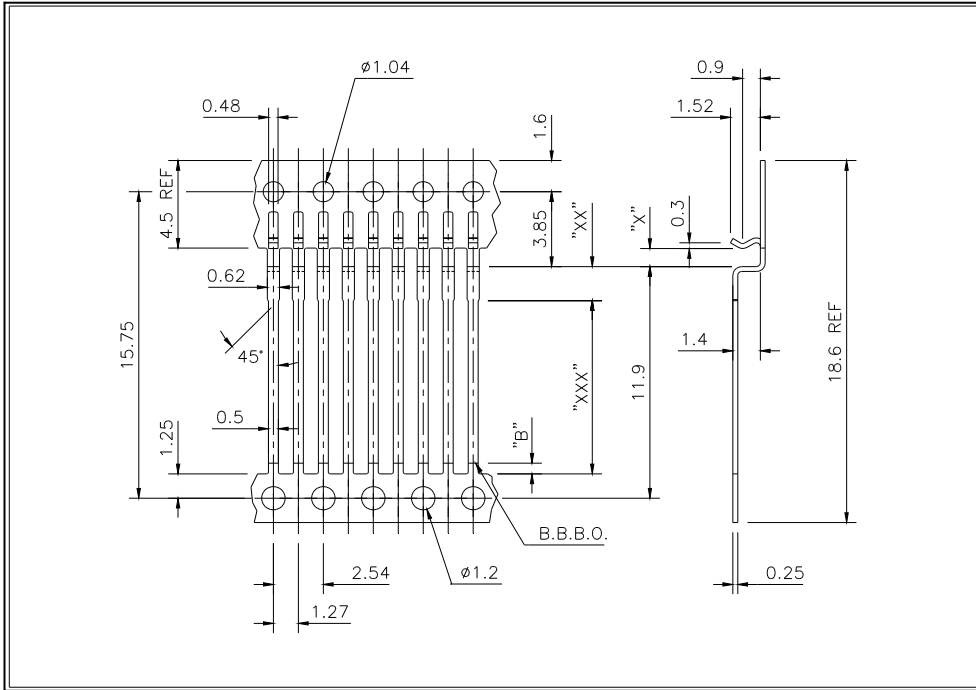
sales@batten-allen.co.uk

DIL
BA6300
SERIES
SHEET 1 OF 1

Pitch
1.27 mm
0.050 inch

Strip Width
18.6mm
0.732 inch

Material Thickness
0.25mm
0.010"



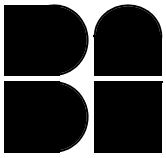
Technical Information					Ordering Information					
Substrate Size	Gap Size *X*	Stand Off *XX*	Pin Length *XXX*	Clip Length	Part Number	Top Bar *T*	Bottom Bar *B*	Plating Code	Quantity Per Reel	Wind Style
0.62-0.70mm 0.024-0.027"	0.56mm 0.022"	1.75mm 0.069"	8.90mm 0.350"	1.52mm 0.060"	BA6300	TZ	BZ BJ	4A	G (80K)	5 to 8
1.00-1.08mm 0.039-0.043"	0.93mm 0.037"	1.75mm 0.069"	8.90mm 0.350"	1.52mm 0.060"	BA6301	TZ	BZ BJ	4A	G (80K)	5 to 8

*Shaded Part Numbers are subject to Minimum Order Quantities of 480,000

EXAMPLE OF POSSIBLE ORDER CODE

Part Number	Top Bar *T*	Bottom Bar *B*	Plating Code	Quantity Per Reel	Wind Style
BA6300	TM	BZ	4A	F	5

Other plating styles on request



BATTEN & ALLEN LIMITED

Bridge End, Love Lane Industrial Estate,
Cirencester, Glos. GL7 1NQ, Gt. Britain

Tel: +44(0)1285 655220

Fax: +44(0)1285 652650

e-mail

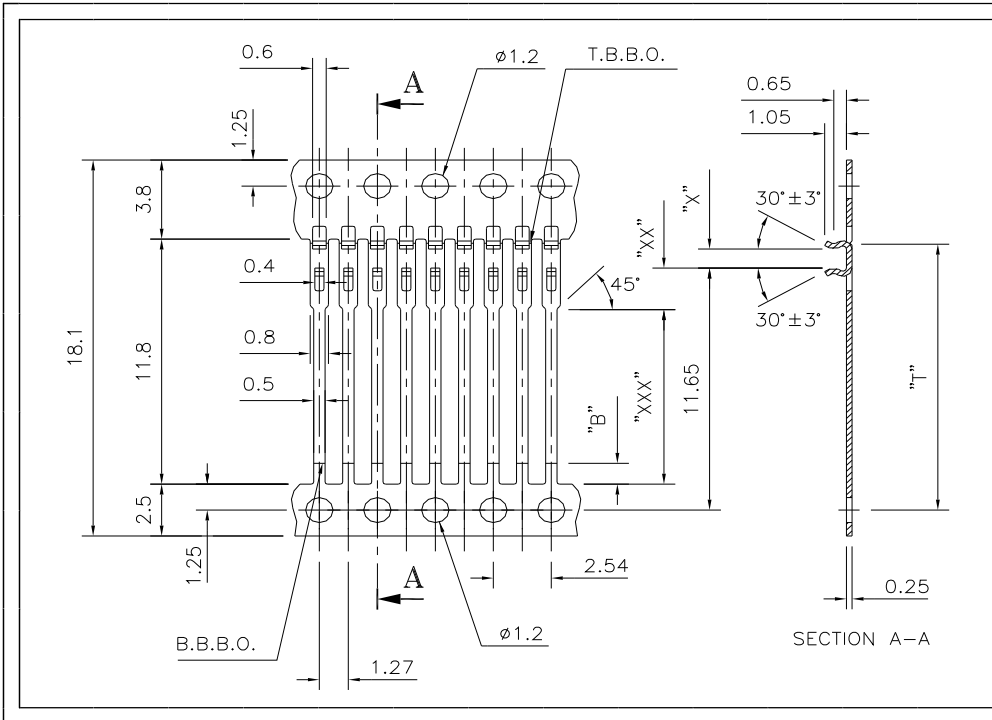
sales@batten-allen.co.uk

DIL
BA6600
SERIES
SHEET 1 OF 1

Pitch
1.27 mm
0.050 inch

Strip Width
18.1mm
0.732 inch

Material Thickness
0.25mm
0.010 inch



Technical Information					Ordering Information					
Substrate Size	Gap Size *X*	Stand Off *XX*	Pin Length *XXX*	Clip Length	Part Number	Top Bar *T*	Bottom Bar *B*	Plating Code	Quantity Per Reel	Wind Style
0.62-0.68mm 0.024-0.027"	0.56mm 0.022"	2.0mm 0.079"	8.40mm 0.330"	1.05mm 0.041"	BA6600	TF	BZ	4A	G (80K)	5 to 8
0.77-0.85mm 0.030-0.033"	0.70mm 0.028"	2.0mm 0.079"	8.40mm 0.330"	1.05mm 0.041"	BA6601	TX	BZ	4A	G (80K)	5 to 8
1.00-1.08mm 0.039-0.043"	0.92mm 0.036"	2.0mm 0.079"	8.40mm 0.330"	1.05mm 0.041"	BA6602	TY	BZ	4A	G (80K)	5 to 8

*Shaded Part Numbers are subject to Minimum Order Quantities of 480,000

EXAMPLE OF POSSIBLE ORDER CODE

Part Number	Top Bar *T*	Bottom Bar *B*	Plating Code	Quantity Per Reel	Wind Style
BA6600	TM	BZ	4A	F	5

Other plating styles on request